

ORDER PICKER

BATTERY OPERATED TASK SUPPORT VEHICLE



JX1-48

The JX1 vertical order picker is an efficient solution that can increase productivity in a warehouse, while also minimizing the risk of injuries. Its robust and stable mast, coupled with a spacious working platform, ensures that users can work safely and efficiently.

Contact

6863 3333
 sales@weldman.com
 21 Tuas ave 18, Singapore 638901

JX0-30

JX0 is the new generation task support vehicle. It comes with extremely stable mast and intuitive user interface. JX0 will increase safety and efficiency wherever goods have to be picked or stored in shelves and racks.



JX1-48

ORDER PICKER



DESIGN

- Innovative
- Heavy duty construction
- Stable Mast
- Expansive working platform
- Cushion backrest
- User-friendly buttons and controls

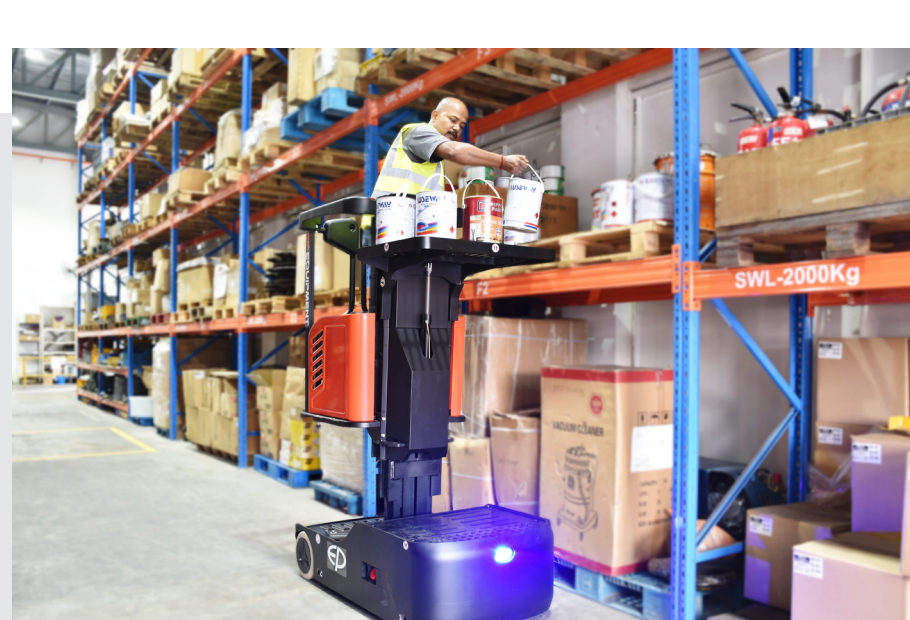
ADVANTAGES

- Boost working productivity
- Reduce height injury
- Reduce physical strain
- Safe maneuvering
- Able to turn 360 degrees on the spot
- Able to provide an elevated height of 4.8m



JX0-30

ORDER PICKER



DESIGN

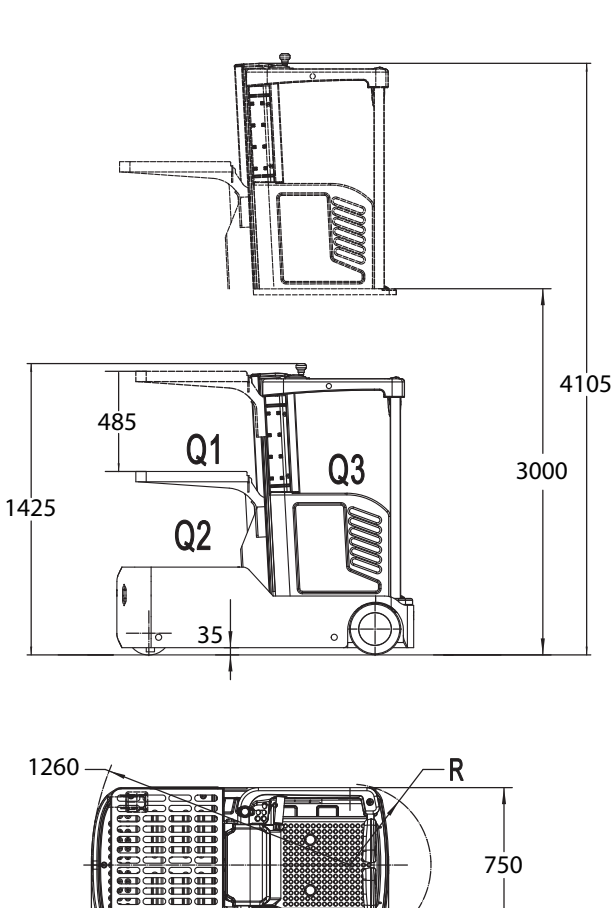
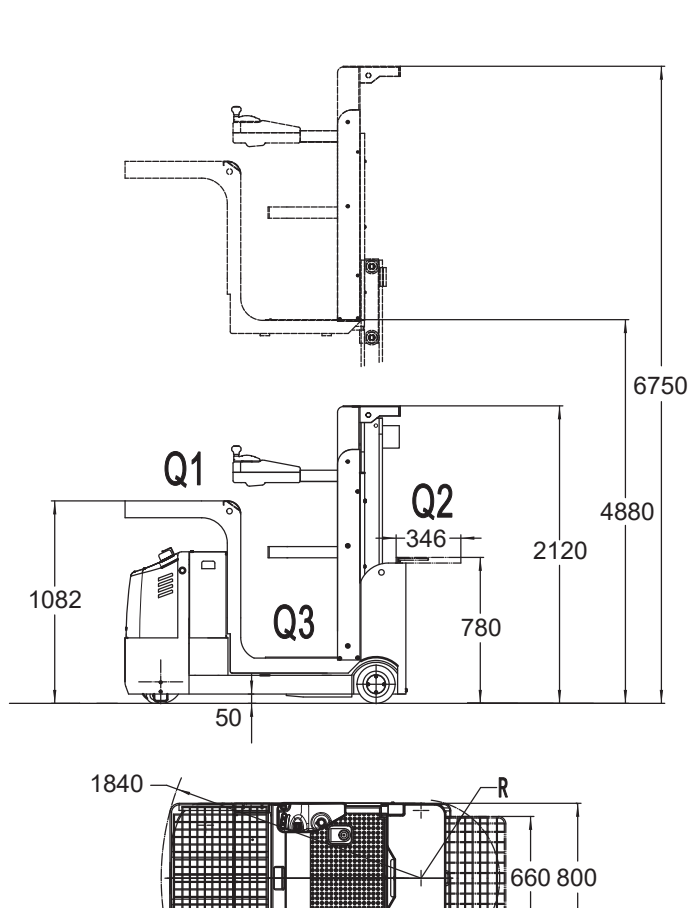
- Innovative
- Compact and ideal for narrow aisles
- Stable Mast
- Expansive working platform
- User-friendly buttons and controls

ADVANTAGES

- Boost working productivity
- Reduce height injury
- Safe maneuvering
- Able to turn 360 degrees on the spot
- Able to provide an elevated height of 3.0m high



SPECIFICATION



JX1-48

Drive Unit	ELECTRICS
Operator Type	STANDING
Rated Capacity	
Q1	227 kg
Q2	137 kg
Q3	136 kg
Max. Stand Height	4880 mm
Overall Length	1610 mm
Overall Width	860 mm
Height, Mast Lowered	2120 mm
Turning Radius (Wa)	1840 mm

JX0-30

Drive Unit	ELECTRICS
Operator Type	STANDING
Rated Capacity	
Q1	90 kg
Q2	110 kg
Q3	136 kg
Max. Stand Height	3000 mm
Overall Length	1440 mm
Overall Width	750 mm
Height, Mast Lowered	1425 mm
Turning Radius (Wa)	1260 mm

Contact

6863 3333
 sales@weldman.com
 21 Tuas ave 18, Singapore 638901

